



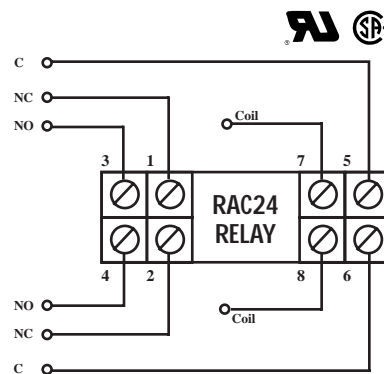
## RAC24 Relay Module

### Specifications:

- 24VAC Operation.
  - Current Draw: 35ma
  - Contacts: DPDT (Double Form C)  
Rated: 10 amps/240VAC  
10 amps/28VDC.
  - UL Recognized.
  - CSA Approved.
- Dimensions: 2.7L x 1W x 2.5H

### Operation:

1. Relay will activate upon applying 24VAC to the terminals marked coil.
2. Use output contacts to make and break load circuits.



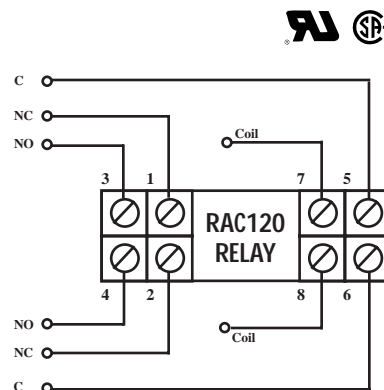
## RAC120 Relay Module

### Specifications:

- 120VAC Operation.
  - Current Draw: 30ma
  - Contacts: DPDT (Double Form "C")  
Rated: 10 amps/240VAC  
10 amps/28VDC.
  - UL Recognized.
  - CSA Approved.
- Dimensions: 2.7L x 1W x 2.5H

### Operation:

1. Relay will activate upon applying 120VAC to the terminals marked coil.
2. Use output contacts to make and break load circuits.



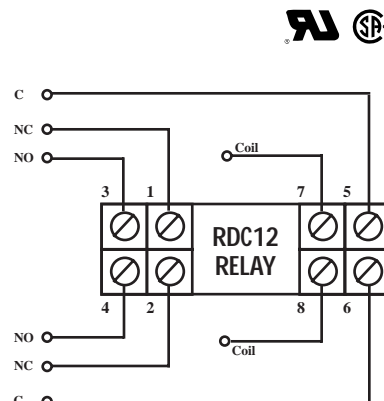
## RDC12 Relay Module

### Specifications:

- 12VDC Operation.
  - Current Draw: 80ma
  - Contacts: DPDT (Double Form C)  
Rated: 10 amps 120VAC/28VDC.
  - UL recognized component.
- Dimensions: 2.7L x 1W x 2.5H

### Operation:

1. Relay will activate upon applying 12VDC to the terminals marked coil.
2. Use output contacts to make and break load circuits.



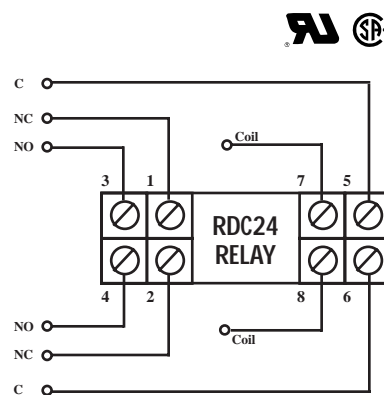
## RDC24 Relay Module

### Specifications:

- 24VDC Operation.
  - Current Draw: 40ma
  - Contacts: DPDT (Double Form C)  
Rated: 10 amps 120VAC/28VDC.
  - UL recognized component.
- Dimensions: 2.7L x 1W x 2.5H

### Operation:

1. Relay will activate upon applying 24VDC to the terminals marked coil.
2. Use output contacts to make and break load circuits.



## RDC48 Relay Module

### Specifications:

- 48VDC Operation.
  - Current Draw: 20ma
  - Contacts: DPDT (Double Form C)  
Rated: 10 amps 120VAC/28VDC.
  - UL recognized component.
- Dimensions: 2.7L x 1W x 2.5H

### Operation:

1. Relay will activate upon applying 48VDC to the terminals marked coil.
2. Use output contacts to make and break load circuits.

